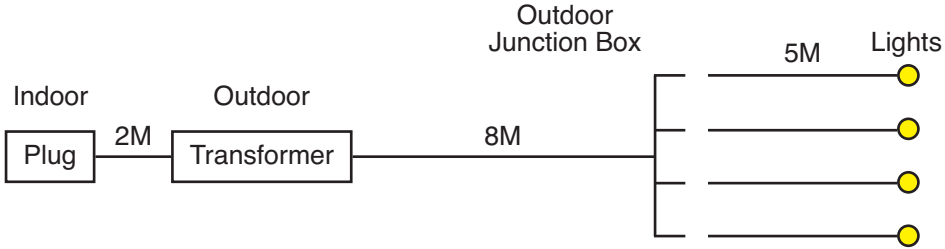
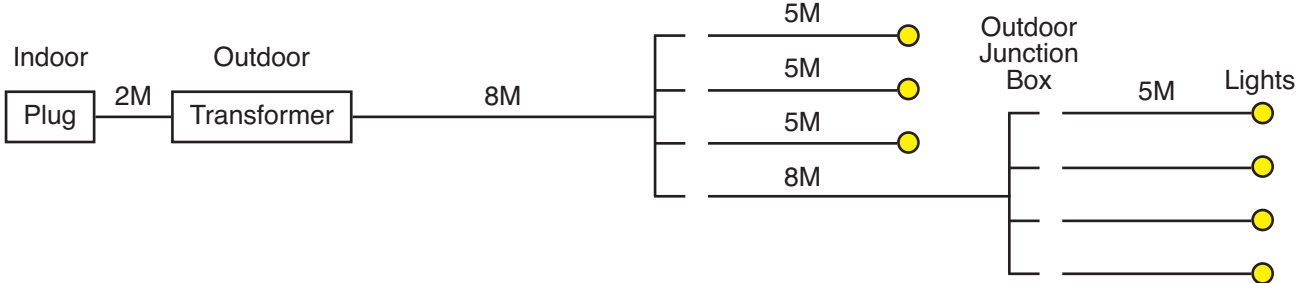


Installation Diagram

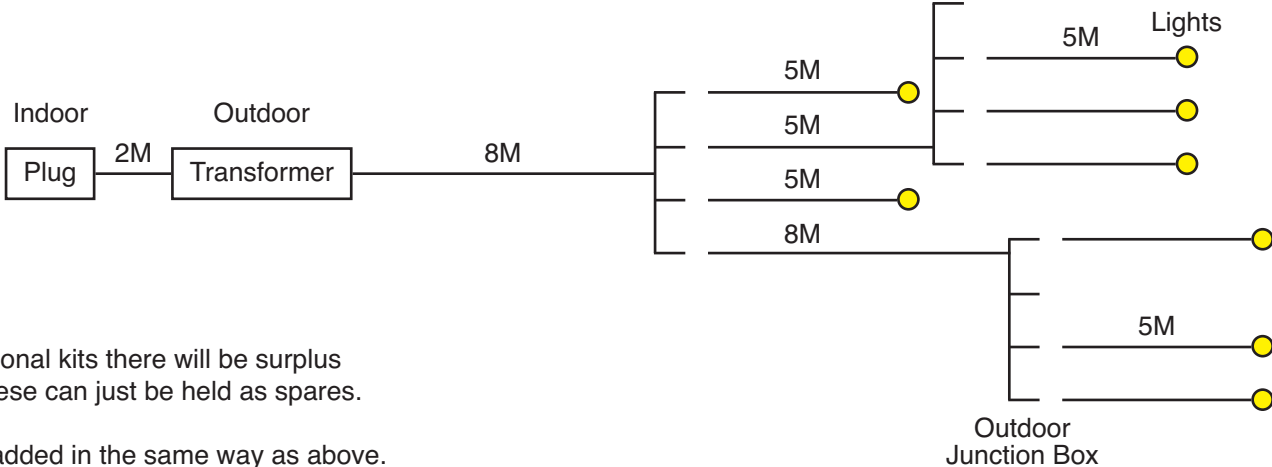
4 Lights



5/6/7 Lights



8 Lights



Note: When buying additional kits there will be surplus Plug and Transformer. these can just be held as spares.

Round lights 9/10/11/12 added in the same way as above.